

Rota-Trach™

Disposable Standard Tracheostomy Tube

VT530 Series (Cuffed)

REF	Tube ID (mm)	Tube OD (mm)	TL (mm)	Cuff Resting Diameter (Ø,mm)
5300600	6.0	8.3	55	21
5300650	6.5	9.0	60	22
5300700	7.0	9.6	65	23
5300750	7.5	10.3	70	24
5300800	8.0	11.0	76	26
5300850	8.5	11.6	82	28
5300900	9.0	12.3	89	30
5301000	10.0	13.3	97	33

VT531 Series (Cuffed+Fenestrated)

REF	Tube ID (mm)	Tube OD (mm)	TL (mm)	Cuff Resting Diameter (Ø,mm)
5310600	6.0	8.3	55	21
5310650	6.5	9.0	60	22
5310700	7.0	9.6	65	23
5310750	7.5	10.3	70	24
5310800	8.0	11.0	76	26
5310850	8.5	11.6	82	28
5310900	9.0	12.3	89	30
5311000	10.0	13.3	97	33

VT540 Series (Uncuff)

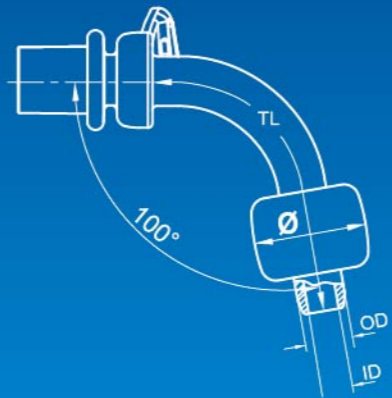
REF	Tube ID (mm)	Tube OD (mm)	TL (mm)
5400600	6.0	8.3	55
5400650	6.5	9.0	60
5400700	7.0	9.6	65
5400750	7.5	10.3	70
5400800	8.0	11.0	76
5400850	8.5	11.6	82
5400900	9.0	12.3	89
5401000	10.0	13.3	97

VT541 Series (Uncuff+Fenestrated)

REF	Tube ID (mm)	Tube OD (mm)	TL (mm)
5410600	6.0	8.3	55
5410650	6.5	9.0	60
5410700	7.0	9.6	65
5410750	7.5	10.3	70
5410800	8.0	11.0	76
5410850	8.5	11.6	82
5410900	9.0	12.3	89
5411000	10.0	13.3	97

Standard Packaging:

- Each package is supplied with obturator, disconnect wedge, and neck strap.
- Packaging: 10 pcs / box



MEDICAL DEVICE ISO 13485 CE 2460

**Better Design,
Better Patient Comforts**



Vitaltec Vitaltec Corporation

No.12, Lane 4-30, Chyuan-zhou Rd., Hou-Li District, Taichung City 42142, Taiwan.

TEL: +886-4-2558-0886

FAX: +886-4-2556-8632

Website: www.vitaltec.com.tw

E-Mail: sales@vitaltec.com.tw



Made in Taiwan

Distributor:



A commitment for life



Rota-Trach™ Disposable Standard Tracheostomy Tube

Free-angle Oscillating Connector Reduces Patient Discomfort

Rota-Trach™ Tracheostomy Tube not only provides basic necessities but is a “Patient Friendly” device. The free angle oscillating connector is the most advanced patient friendly patented design. This feature allows the connector to swivel freely, absorbing pressure of any movement from the connector and reducing discomfort.



- ⌘ Valve with cap
- ⌘ Thermo sensitive PVC with DEHP Free
- ⌘ Fenestration (Optional)
- ⌘ MRI examination Safety
- ⌘ Free-angle oscillating connector
- ⌘ Pilot balloon, with size indicator
- ⌘ High volume, Low pressure cuff
- ⌘ Radiopaque inflation tube for radiological purposes

MRI test safety

Rota-Trach™ Tracheostomy tube ranges are completely free of metal, so remove of the tube prior to MRI examination is not necessary.



Disconnect Wedge

A convenient tool which helps to disconnect attachments on the inner cannula 15mm connector. The clip on the wedge allows attachment to patients clothing. To avoid cross infection the wedge is included with each Rota-Trach™.



Rota-Trach™

Inner Cannula Tracheostomy Tube

*Better Design,
Better Patient Comforts*

VT550 Series (Cuffed)				
REF	ID / IC (mm)	OD / OT (mm)	AL (mm)	Cuff Resting Diameter (∅,mm)
5500500	5.0	8.6	65	16
5500600	6.0	9.2	71	20
5500700	7.0	10.6	76	23
5500800	8.0	11.7	78	26
5500900	9.0	12.8	80	30
5501000	10.0	13.8	82	33

VT551 Series (Cuffed+Fenestrated)				
REF	ID / IC (mm)	OD / OT (mm)	AL (mm)	Cuff Resting Diameter (∅,mm)
5510500	5.0	8.6	65	16
5510600	6.0	9.2	71	20
5510700	7.0	10.6	76	23
5510800	8.0	11.7	78	26
5510900	9.0	12.8	80	30
5511000	10.0	13.8	82	33

VT560 Series (Uncuff)			
REF	ID / IC (mm)	OD / OT (mm)	AL (mm)
5600500	5.0	8.6	65
5600600	6.0	9.2	71
5600700	7.0	10.6	76
5600800	8.0	11.7	78
5600900	9.0	12.8	80
5601000	10.0	13.8	82

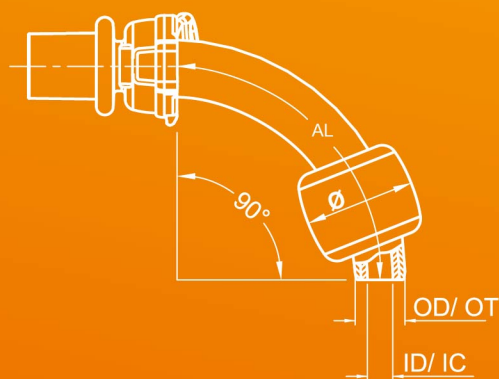
VT561 Series (Uncuff+Fenestrated)			
REF	ID / IC (mm)	OD / OT (mm)	AL (mm)
5610500	5.0	8.6	65
5610600	6.0	9.2	71
5610700	7.0	10.6	76
5610800	8.0	11.7	78
5610900	9.0	12.8	80
5611000	10.0	13.8	82

Standard Packaging:

- Each package is supplied with obturator, disconnect wedge, and neck strap.
- Packaging: 10 pcs / box

Options:

- Occlusion cap for 15mm connector
- Inner cannula, fenestrated, with low-profile connector
- Decannulation Plug connected to the outer cannula



- ID/IC: Inside Diameter of Inner Cannula
- OD/OT: Outside Diameter of Outer Tube
- AL :available length along centre line from start of neck flange to bottom of tube



Vitaltec Vitaltec Corporation

No.12, Lane 4-30, Chyuan-zhou Rd., Hou-Li District, Taichung City 42142, Taiwan.
 TEL: +886-4-2558-0886
 FAX: +886-4-2556-8632
 Website: www.vitaltec.com.tw
 E-Mail: sales@vitaltec.com.tw



Made in Taiwan

Distributor:

A commitment for life

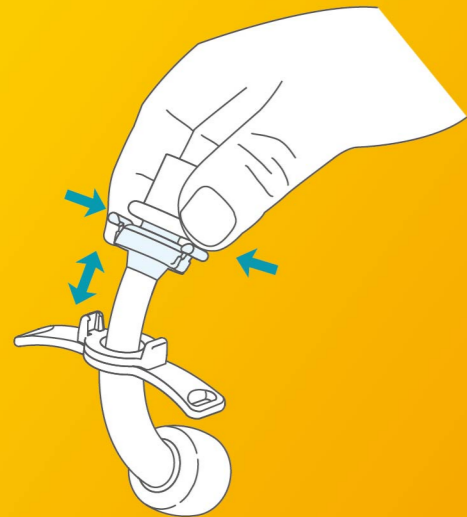


Rota-Trach™ Inner Cannula Tracheostomy Tube

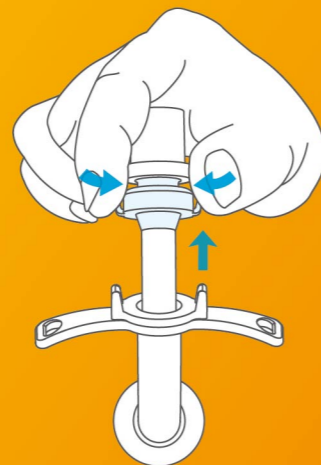
Free-angle Oscillating Connector Reduces Patient Discomfort

Rota-Trach™ Tracheostomy Tube not only provides basic necessities but is a "Patient Friendly" device. The free angle oscillating connector is the most advanced patient friendly patented design. This feature allows the connector to swivel freely, absorbing pressure of any movement from the connector and reducing discomfort.

Quick & Secure Inner Cannula Tube Interchange



Insert the new tube



Pull to release tube



- ⌘ Valve with cap
- ⌘ Soft wide neck plate
- ⌘ Fenestration (Optional)
- ⌘ Free angle oscillating connector
- ⌘ Pilot balloon, with size indicator
- ⌘ High volume, Low pressure cuff
- ⌘ Push-click inner cannula design
- ⌘ Metal free valve for MRI test Safety
- ⌘ Radiopaque tube for radiological purpose

Rota-Trach™ inner cannula tracheostomy tubes are a push-click design which allows cleaning or replacement to be easily carried out. The built-in free-angle oscillating connector allows for maximum anatomical conformity and reduces patient discomfort. The tubes are made of medical grade polyurethane (PU), which are friendly for patient tissue. Available in six adult sizes, cuffed, uncuffed, and fenestrated styles.

MRI test safety

Rota-Trach™ Tracheostomy tube ranges are completely free of metal, so removal of the tube prior to MRI examination is not necessary.



Disconnect Wedge

A convenient tool which helps to disconnect attachments on the inner cannula 15mm connector. The clip on the wedge allows attachment to patients clothing. To avoid cross infection the wedge is included with each Rota-Trach™.



Rota-Trach[™]

Pediatric Tracheostomy Tube

Better Design, Better Patient Comforts

Extending Rota-Trach[™] family products to a step further, Rota-Trach[™] Pediatric Tracheostomy Tube is developed especially for infants and children. Understanding the uniqueness and delicacy of new born, this product brings the best solution for young patients.



A commitment for life

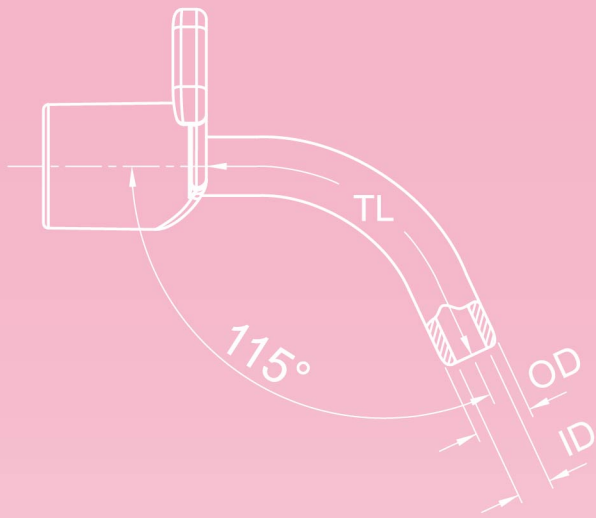


Rota-Trach™ Pediatric Tracheostomy Tube

VT540 Series

REF	Tube ID (mm)	Tube OD (mm)	TL (mm)
5400300	3.0	4.6	39
5400400	4.0	6.0	41
5400500	5.0	7.2	44

- ❖ Thermo sensitive PVC with non-phthalate material
- ❖ Minimize dead space
- ❖ Radiopaque tube
- ❖ Obturator
- ❖ Neck Strap



Standard Packaging:

- Each package is supplied with obturator and neck strap.
- Packaging: 10 pcs / box


ISO CE
 MEDICAL DEVICE 13485 2460


Vitaltec Corporation

No.12, Lane 4-30, Chyuan-zhou Rd., Hou-Li District, Taichung City 42142, Taiwan.

TEL: +886-4-2558-0886

FAX: +886-4-2556-8632

Website: www.vitaltec.com.tw

E-Mail: sales@vitaltec.com.tw



Made in Taiwan

Distributor: