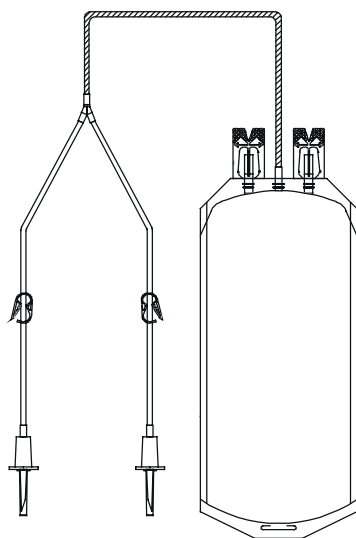


# Transfer Bag



Single empty  
Transfer Bag  
800ml, 2 spikes

**Ref. VSE 5042Q**

## Specifications :

**Label :** Four-language label (French, English, German, Dutch)  
Lot no. in 128 bar code format

**Supplementary Devices :** 2 Spikes Conforming to ISO 3826 and 2 clamps  
SCD compatible tubing (2x30 cm +/-10%, 1x20 cm +/-10%)

**Shelf life :** 5 years in sealed packaging - 10 days after opening overwrap

**Method of Sterilisation :**  $\beta$  Irradiation in overwrap

**Storage conditions :** Keep away from direct light and frost  
Bring temperature to between + 15°C and + 30°C prior to use

**Manufacturing and Quality Control procedures:**  
Conforms to GMP and ISO 9001/ EN 46001

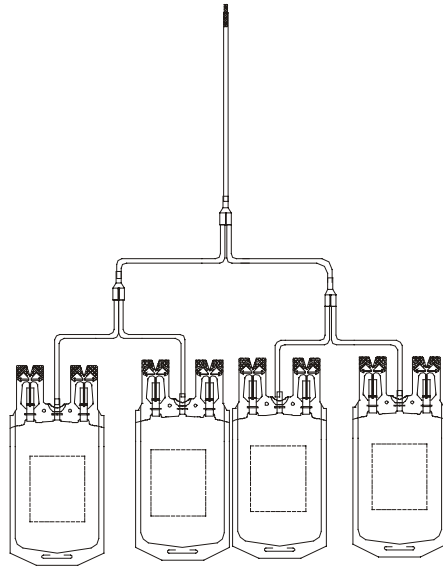
**Product control form :** Certificate of conformity available with each batch

## Use :

Transfer of blood components  
(Blood, red cells, platelets, plasma, serum, cryo).

**Packaging :**  
1 bag/overwrap - 20 overwraps/box

# Transfer Bag



Quadruple empty  
transfer set  
150ml

**Ref. VQL 0001XC**

## **Specifications**

**Label :** German

**Supplementary Devices :** SCD compatible tubing (7x20 cm +/-10%)

**Shelf life :** 5 years in sealed packaging - 10 days after opening overwrap

**Method of Sterilisation :**  $\beta$  Irradiation in overwrap

**Storage conditions :** Keep away from direct light and frost  
Bring temperature to between + 15°C and + 30°C prior to use

**Manufacturing and Quality Control procedures :**  
Conforms to GMP and ISO 9001/ EN 46001

**Product control form :** Certificate of conformity available with each batch

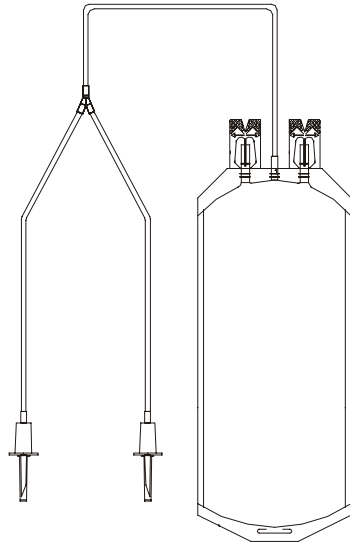
## **Use :**

Transfer of blood components  
(Blood, red cells, platelets, plasma, serum, cryo).

**Packaging :**  
1 bag / overwrap - 25 overwraps / box



# Transfer Bag



Single empty  
Transfer Bag  
1000 ml, 2 spikes

**Ref. VSE 6002 Z**

## Specifications :

**Label :** French

Lot no. in 128 bar code format

**Supplementary Devices :** 2 Spikes Conforming to ISO 3826

SCD compatible tubing (2x30 cm +/-10%, 1x20 cm +/-10%)

**Shelf life :** 5 years in sealed packaging - 10 days after opening overwrap

**Method of Sterilisation :**  $\beta$  Irradiation in overwrap

**Storage conditions :** Keep away from direct light and frost  
Bring temperature to between + 15°C and + 30°C prior to use

**Manufacturing and Quality Control procedures :**

Conforms to GMP and ISO 9001/ EN 46001

**Product control form :** Certificate of conformity available with each batch

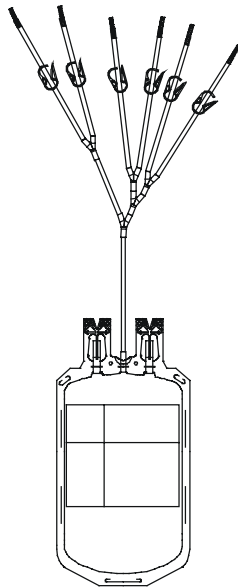
## Use :

Transfer of blood components  
(Blood, red cells, platelets, plasma, serum, cryo).

**Packaging :**

1 bag/overwrap - 30 overwraps/box

# Transfer Bag



Single empty  
Transfer Bag  
600 ml, 6 transfer lines

**Ref. VSE 4011 A**

## **Specifications :**

**Label :** French

Lot no. in 128 bar code format

**Supplementary Devices :** 6 SCD compatible tubes with 6 clamps (7x25 cm +/-10%)

**Shelf life :** 5 years in sealed packaging - 10 days after opening overwrap

**Method of Sterilisation :**  $\beta$  Irradiation in overwrap

**Storage conditions :** Keep away from direct light and frost  
Bring temperature to between + 15°C and + 30°C prior to use

**Manufacturing and Quality Control procedures:**  
Conforms to GMP and ISO 9001/ EN 46001

**Product control form :** Certificate of conformity available with each batch

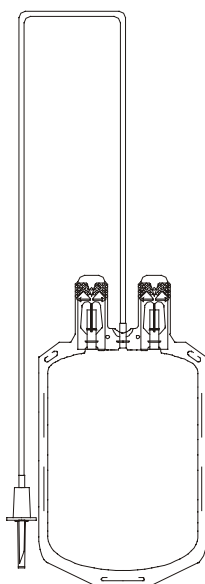
## **Use :**

Transfer and pooling of blood components  
(Blood, red cells, platelets, plasma, serum, cryo).

**Packaging :**

1 bag/overwrap - 20 overwraps/box

# Transfer Bag



Single empty  
Transfer bag  
600ml, 1 spike

**Ref. VSE 4201 XA**

## Specifications :

**Label :** French

Lot no. in 128 bar code format

**Supplementary Device :** Spike Conforming to ISO 3826  
SCD compatible tubing (105 cm +/-10%)

**Shelf life :** 5 years in sealed packaging - 10 days after opening overwrap

**Method of Sterilisation :**  $\beta$  Irradiation in overwrap

**Storage conditions :** Keep away from direct light and frost  
Bring temperature to between + 15°C and + 30°C prior to use

**Manufacturing and Quality Control procedures:**  
Conforms to GMP and ISO 9001/ EN 46001

**Product control form :** Certificate of conformity available with each batch

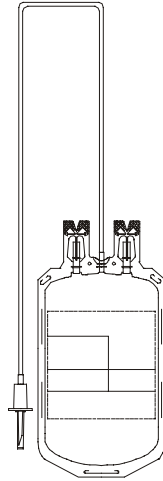
## Use :

Transfer of blood components  
(Blood, red cells, platelets, plasma, serum, cryo).

**Packaging :**

1 bag/overwrap - 30 overwraps/box

# Transfer Bag



Single empty  
Transfer bag  
600ml

**Ref. VSE 4001B**

## **Specifications**

**Label :** UK Specifications  
Ref & lot no. In Codabar format

**Supplementary Device :** Spike Conforming to ISO 3826  
SCD compatible tubing (50 cm +/- 10%)

**Shelf life :** 5 years in sealed packaging - 10 days after opening overwrap

**Method of Sterilisation:**  $\beta$  Irradiation in overwrap.

**Storage conditions :** Keep away from direct light and frost. If necessary, bring temperature to between + 15°C and + 30°C prior to use.

**General production and quality control procedures :**  
Conforms to GMP and ISO 9001/ EN 46001

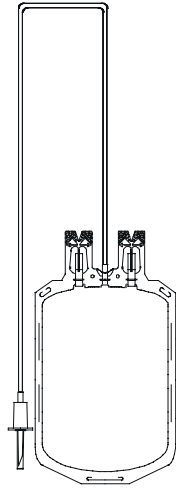
**Product control form :** Certificate of conformity available with each batch.

## **Use :**

Transfer of blood components  
(Blood, red cells, platelets, plasma, serum, cryo).

**Packaging :**  
1 bag/overwrap - 35 overwraps/box

# Blood Bags



Single PVC bag  
for the transfer  
of 600ml

**Ref. VSE 4001Q**

## Specifications

**Labels** : Four- language label.

**Features** : Equipped with spike  
Conform to ISO 3826.

**Empty bag weight** : 29g +/- 5%

**Shelf life** : 5 years in sealed package - 10 days once package is open.

**Sterilization method** : B Irradiation in overwrap.

**Packaging** : 1 bag/overwrap.

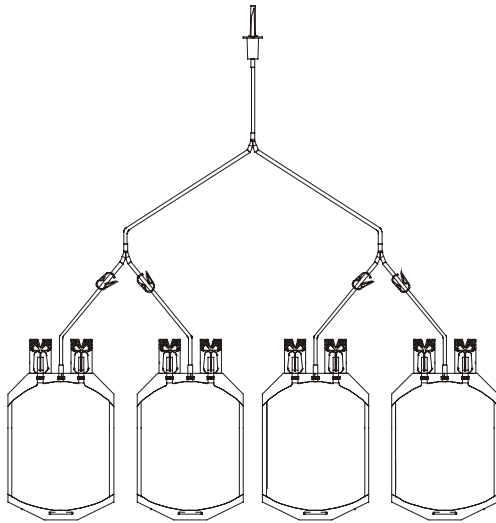
**Outer Packaging** : 35 overwraps/box

**Storage conditions** : Keep away from direct light and frost. If necessary, bring temperature to between + 15°C and + 30°C prior to use.

**General production and quality control procedures** : Conforms to GMP and ISO 9001.

**Product control form** : Certificate of conformity available with each batch.

# Transfer Bag



Quadruple empty  
transfer set  
150-300ml  
1 spike

**Ref. VQE 2001 A**

## **Specifications**

**Label :** French

Lot no. in 128 bar code format

**Supplementary Devices :** Spike Conforming to ISO 3826 and 4 clamps  
SCD compatible tubing (4x30 cm +/-10%, 2x10 cm +/-10%,  
1x20 cm +/-10%)

**Shelf life :** 5 years in sealed packaging - 10 days after opening overwrap

**Method of Sterilisation :**  $\beta$  Irradiation in overwrap

**Storage conditions :** Keep away from direct light and frost  
Bring temperature to between + 15°C and + 30°C prior to use

**Manufacturing and Quality Control procedures :**  
Conforms to GMP and ISO 9001/ EN 46001

**Product control form :** Certificate of conformity available with each batch

## **Use :**

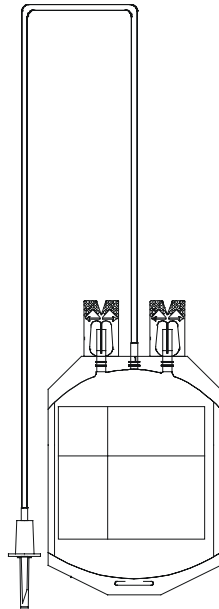
Transfer of blood components  
(Blood, red cells, platelets, plasma, serum, cryo).

**Packaging :**  
1 bag / overwrap - 20 overwraps / box





# Transfer Bag



Single empty  
Transfer bag  
150ml/300ml

**Ref. VSE 2001Q**

## **Specifications**

**Label :** Two language label (French - English)  
Lot number in 128 bar code format.

**Supplementary devices :** Spike conforming to ISO 3826  
SCD compatible tubing (50 cm +/-10%)

**Shelf life :** 5 years in sealed packaging - 10 days after opening overwrap

**Method of Sterilisation:**  $\beta$  Irradiation in overwrap.

**Storage conditions :** Keep away from direct light and frost. If necessary, bring temperature to between + 15°C and 30°C prior to use.

**Manufacturing and Quality Control procedures :**  
Conforms to GMP and ISO 9001/ EN 46001.

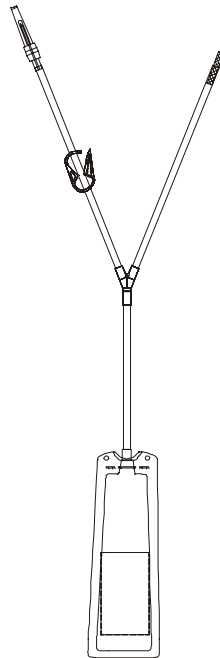
**Product control form :** Certificate of conformity available with each batch.

## **Use :**

Transfer of blood components  
(Blood, red cells, platelets, plasma, serum, cryo).

**Packaging :**  
1 bag/overwrap - 40 overwraps/box

# Transfer Bag



Single empty  
Sampling bag  
35-40ml  
Vacuum sampling site

**Ref. VSE 0000 Y**

## **Specifications :**

**Label :** French

**Supplementary Devices :** SCD compatible tubing (15 cm +/-10%)  
Vacuum sampling site, clamp

**Shelf life :** 5 years in sealed packaging - 10 days after opening overwrap

**Method of Sterilisation :**  $\beta$  Irradiation in overwrap

**Storage conditions :** Keep away from direct light and frost  
Bring temperature to between + 15°C and + 30°C prior to use

**Manufacturing and Quality Control procedures:**  
Conforms to GMP and ISO 9001/ EN 46001

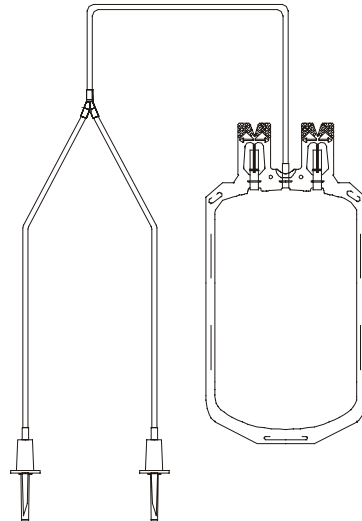
**Product control form :** Certificate of conformity available with each batch

## **Use :**

Transfer and sampling of blood components  
(Blood, red cells, platelets, plasma, serum, cryo).

**Packaging :**  
5 bags/overwrap - 20 overwraps/box

# Transfer Bag



Single empty  
Transfer bag  
600 ml, 2 spikes

**Ref. VSE 4002 XA**

## Specifications :

**Label :** French

Lot no. in 128 bar code format

**Supplementary Devices :** 2 Spikes Conforming to ISO 3826  
SCD compatible tubing (2x30 cm +/-10%, 1x20 cm +/-10%)

**Shelf life :** 5 years in sealed packaging - 10 days after opening overwrap

**Method of Sterilisation :**  $\beta$  Irradiation in overwrap

**Storage conditions :** Keep away from direct light and frost  
Bring temperature to between + 15°C and + 30°C prior to use

**Manufacturing and Quality Control procedures:**  
Conforms to GMP and ISO 9001/ EN 46001

**Product control form :** Certificate of conformity available with each batch

## Use :

Transfer of blood components  
(Blood, red cells, platelets, plasma, serum, cryo).

**Packaging :**  
1 bag/overwrap - 15 overwraps/box

